

## Specification sheet LX 2230

### Parapet drainage Rectangular spout with bonding flange

**Emergency drainage**

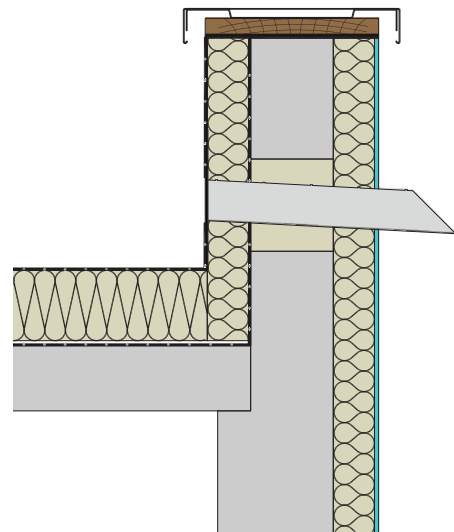
**Gravity flow**

**Silent Power**

<b>Discharge rate:</b>	<b>3,0 l/s</b>
<b>Water height:</b>	<b>35 mm</b>
<b>Roof penetration:</b>	<b>0 mm</b>
<b>Width/height:</b>	<b>300 mm/100 mm</b>
<b>LX-Number:</b>	<b>LX 2230</b>
<b>Weir height:</b>	<b>35 mm</b>
<b>Drain:</b>	<b>ventilated</b>
<b>Downpipe:</b>	<b>-</b>
<b>Downpipe height:</b>	<b>-</b>
<b>Drainage:</b>	<b>into the open</b>
<b>Flange:</b>	<b>bonding flange</b>

#### LX 2230 Piece list

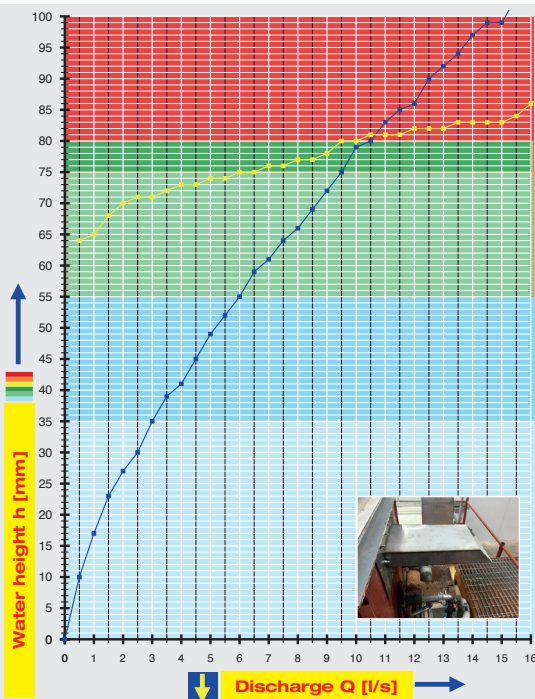
1 x Art.-No. 19041.000X LORO-X Rectangular spout



Note:

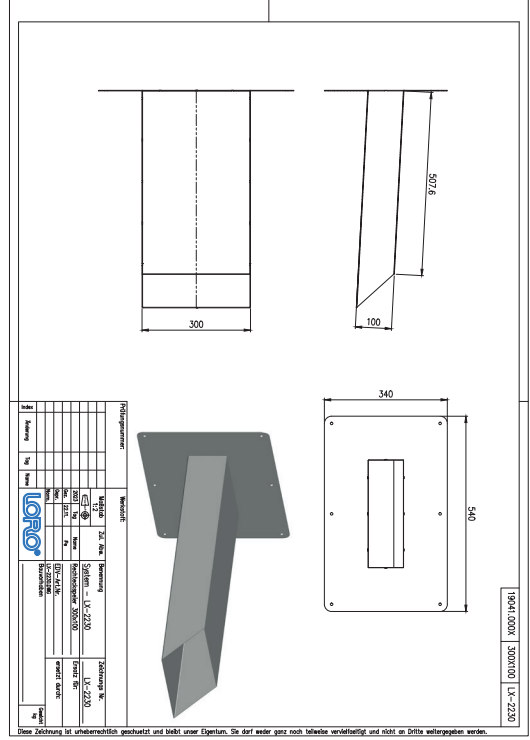
In this measurement, the 0-point in the discharge curve represents the lower edge of the pipe.

#### hQ - Discharge curve



System power

#### CAD



System shape

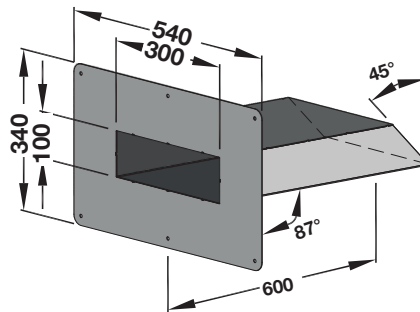
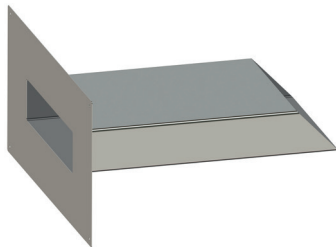
<b>Water height</b>	mm	10	15	20	25	30	<b>35</b>	40	45	50	55	60	65	70	75	80	85
<b>Discharge</b>	l/s	0,5	0,8	1,3	1,8	2,5	<b>3,0</b>	3,7	4,5	5,1	6,0	6,8	7,7	8,6	9,5	10,5	11,5
		<b>Silent</b>						<b>Silent Power</b>									

## LORO-X Rectangular spout with bonding flange

**LX2230-20X**

### Rectangular spout with bonding flange

Art.-No. 19041.000X  
Weight: 7,0 kg



### LORO-X Facade cover

300 mm x 100 mm  
Art.-No. 19141.000X  
Weight: 0,9 kg



Object-related production upon request. Please contact LOROWERK for further information.

Maximum dimensions: b = 500 mm and h = 100 mm

Maximum dimensions: b = 750 mm and h = 150 mm with baffle.